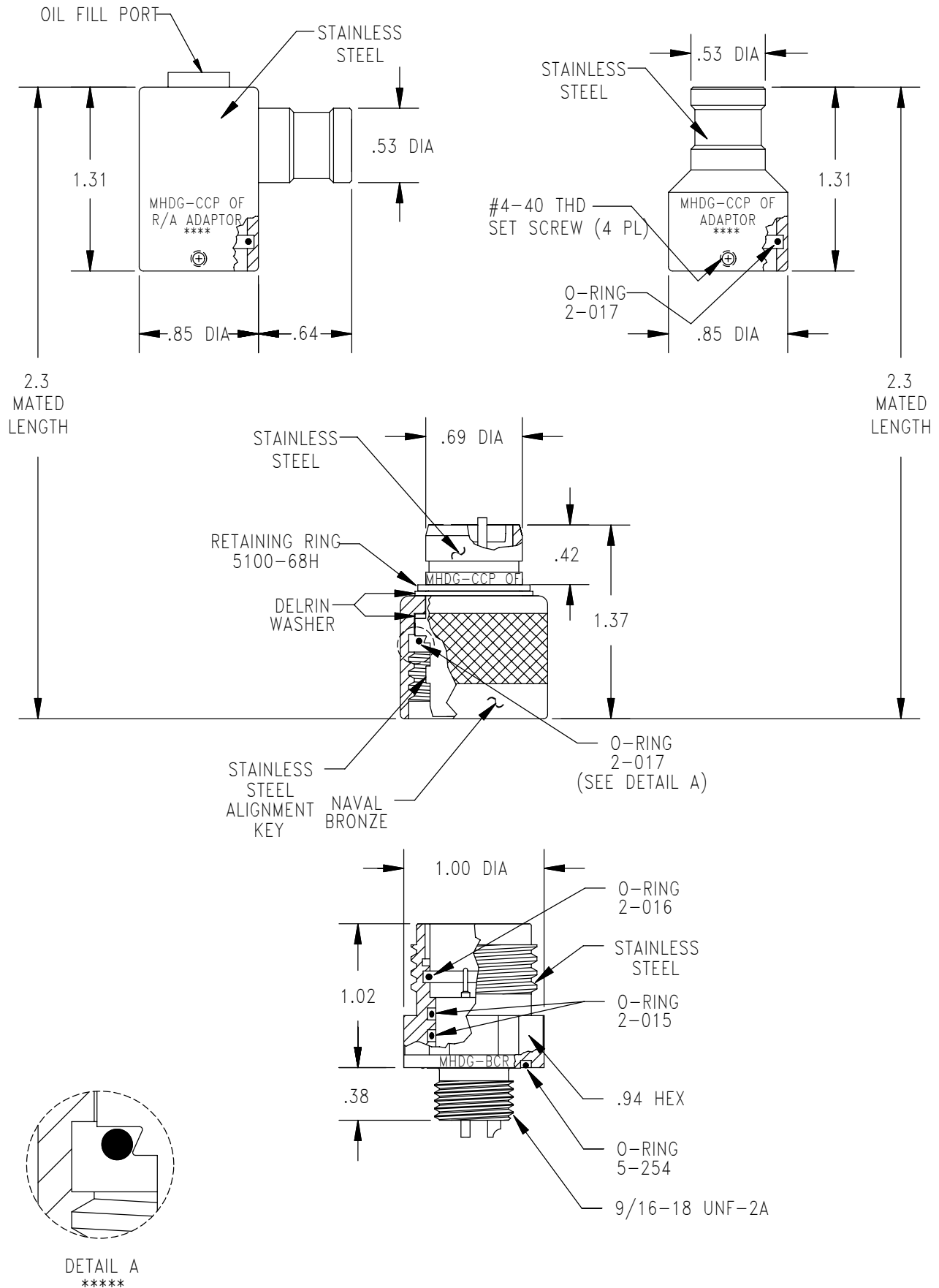
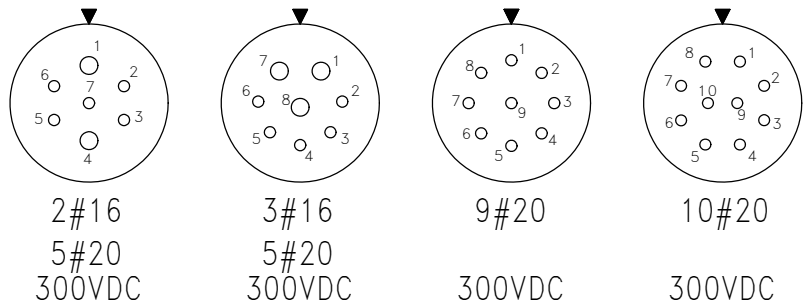
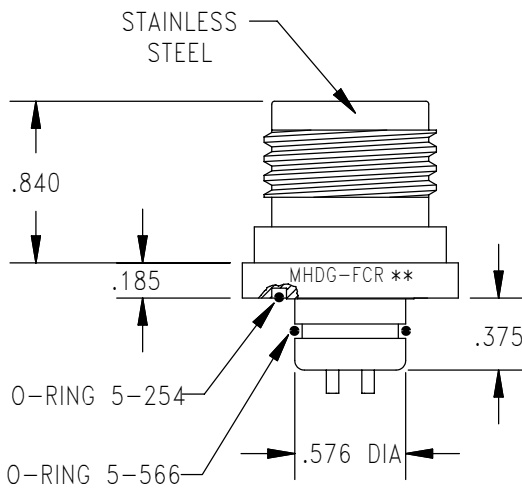
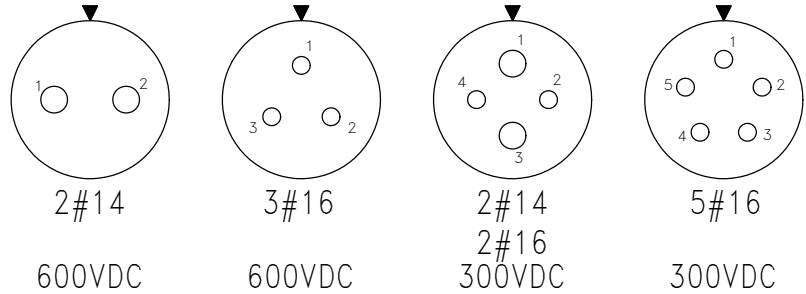
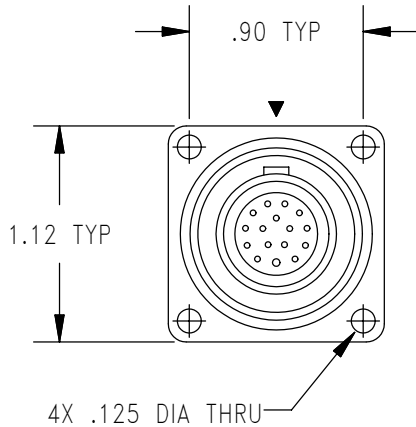


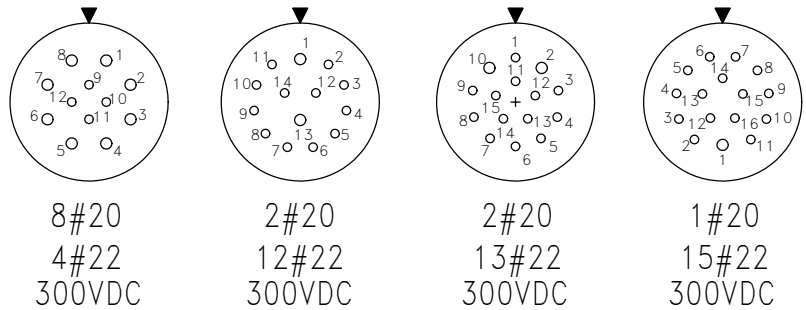
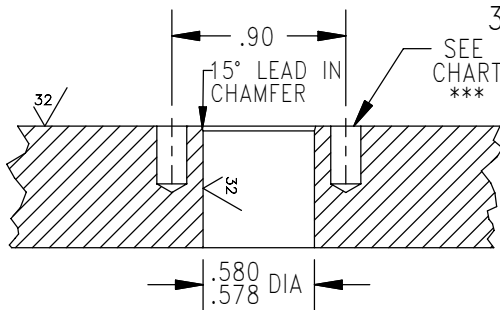
- DESCRIPTION AND MATERIAL
- 316 stainless steel passivated per QQ-P-35 Type VI with naval bronze engaging nut.
 - Bulkhead connectors available as a threaded or flanged version with a removable glass reinforced epoxy insert.
 - Up to 61 contacts.
 - Up to 600 VDC.
 - 5,000 PSI in mated condition.
 - Bulkhead connector design open face pressure rated to 5,000 psi.
 - Contacts are gold plated per MIL-G-45204.
- USES
- For use with oil filled tubes.
 - Signal telemetry.
 - Hazardous environment.
- GUIDELINES
- Mounting torque should not exceed 150 in/lbs. for this series.
 - All mounting surfaces require a 32 finish.
 - Align indexes.
 - Keep o-ring grooves clean.
 - Avoid o-ring cuts and nicks.
 - Lubricate o-rings with Dow Corning #111 Valve Lubricant or equivalent.
 - Replace o-rings when re-using connectors.
 - Avoid contact with noxious solvents.
 - Elastomers can be seriously degraded if exposed to direct sunlight or high ozone levels for extended periods of time.
 - Slight leakage of oil through CCP face may occur.



CONTACT CONFIGURATION
(BCR FACE VIEW)



MOUNTING INSTRUCTIONS



MOUNTING TORQUE FOR MHDG-BCR	not to exceed 150 in lbs	MATED PRESSURE RATING (psi)	5,000
DUMMY PLUG FOR MHDG-BCR/FCR/CCR	MHDG-SCP	DUMMY PLUG FOR MHDG-CCP	MHDG-SCR

- * Please specify number of contacts.
- ** Internal assembly same as MHDG-BCR (facing page).
- *** Blind tapped hole not to penetrate bulkhead, minimum full thread depth 2 times bolt diameter.
- **** OF adaptors should only be used with CCP-OF bodies.
- ***** O-Ring installation tool available - Contact factory for further details.